

DID YOU KNOW?

about our...

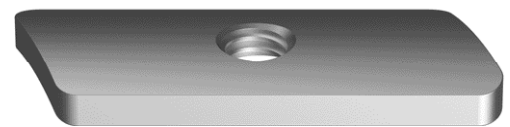


**NEW
PRODUCT**

Strut Channel Nut Narrow – Z/P

STRUT CHANNEL NUT NARROW ZINC PLATED (RoHS COMPLIANT) / HEC

Part	Size	Width	Length	Thickness
		A (mm)	B (mm)	C (mm)
NSMSZCNCM06	M6	13.5	35	3

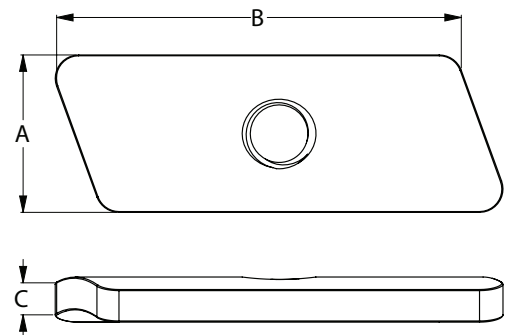


APPLICATIONS

- Secures items to all sections of channels
- Ideal when channel nuts are too wide for the application
- Zinc plated for indoor use
- Light duty, used with metal threads
- Plumbing and electrical applications

FEATURES

- No spring to suit all channel sections
- Also known as a butterfly nut
- Low-profile design
- Ease of installation



Disclaimer: while every reasonable effort has been made to ensure that this document is correct at the time of printing, Hobson Engineering®, its agencies and employees disclaim all liability in respect to anything or the consequences of anything done or omitted regarding the whole or any part of this document. HEC product marking is the manufacturing mark of Hobson Engineering. HEC is a registered trademark of Hobson Engineering.

Bolt Tension | Anti-Vibration | Product Reliability | Traceability

hobson.com.au **QUALITY FASTENERS SINCE 1935**

