



PRODUCT DATA

Lifting Eye Bolt - DIN 580

Eye bolt approved and certified for lifting.
 Can be used in axial or angular loading.

Applications	
•	Connection point for anchoring, rigging, pulling, lifting or hoisting.
•	Can be used with ropes, cables, shackles and hooks.
•	Threaded onto steel equipment, machines and structures.
•	Bolted through steel or timber profiles and secured with a nut.

Material	Grade C15E
-----------------	------------

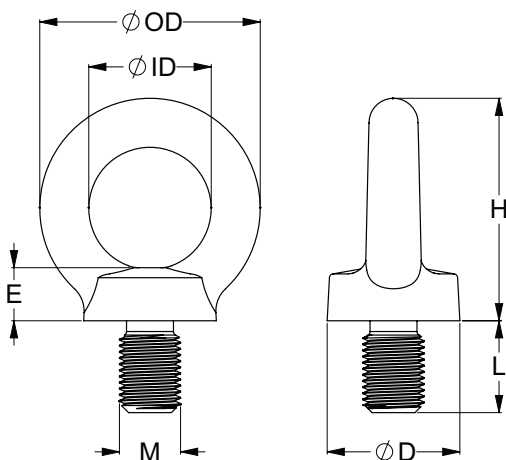
Finish	Hot Dip Galvanised
---------------	--------------------



Features

- Approved for lifting.
- Stamped with working load for axial loading.

Part	QFind	Size	Length	Height	Inside Eye Diameter	Outside Eye Diameter	Collar Diameter	Collar Height
		M	L (mm)	H (mm)	Ø ID (mm)	Ø OD (mm)	Ø D (mm)	E (mm)
ULEBC5GD5M10	EBCGM10	M10	17.0	45	25	45	25	8
ULEBC5GD5M12	EBCGM12	M12	20.5	53	30	54	30	10
ULEBC5GD5M16	EBCGM16	M16	27.0	62	35	63	35	12
ULEBC5GD5M20	EBCGM20	M20	30.0	71	40	72	40	14



MARKINGS:

- CE (European Conformity)
- WLL (Working Load Limit)

You can download this Test Certificate and/or Report from our website:
hobson.com.au

Disclaimer: while every reasonable effort has been made to ensure that this document is correct at the time of printing, Hobson Engineering®, its agencies and employees disclaim all liability in respect to anything or the consequences of anything done or omitted regarding the whole or any part of this document.

Bolt Tension | Anti-Vibration | Product Reliability | Traceability

hobson.com.au **QUALITY FASTENERS SINCE 1935**





PRODUCT DATA

Lifting Eye Bolt - DIN 580

Minimum Ultimate Tensile Loads

Thread size, D_1	M10	M12	M16	M20
Minimum ultimate tensile load (axial)	13.5	20.0	41.2	70.6
Minimum ultimate tensile load (transverse at 90°)	6.8	10.0	20.6	35.3

Minimum ultimate tensile loads in kN

Load-bearing capacity depending on direction of loading

Thread size, d_1		M10	M12	M16	M20
Load-bearing capacity (axial (WLL)) per eye bolt		230	340	700	1200
Load-bearing capacity per eye bolt $0^\circ < \beta \leq 45^\circ$		170	240	500	860
Load-bearing capacity per eye bolt $\beta > 45^\circ$ to 60°		115	170	350	600
Load-bearing capacity per eye bolt while fitted at sides of load $0^\circ \leq \beta \leq 45^\circ$					

Load-bearing capacity in kg

Disclaimer: while every reasonable effort has been made to ensure that this document is correct at the time of printing, Hobson Engineering®, its agencies and employees disclaim all liability in respect to anything or the consequences of anything done or omitted regarding the whole or any part of this document.

Bolt Tension | Anti-Vibration | Product Reliability | Traceability

hobson.com.au **QUALITY FASTENERS SINCE 1935**