

# DID YOU KNOW?

about our...



**NEW  
PRODUCT**

## Flat Plate Fitting One Hole

### FLAT PLATE FITTING ONE HOLE HOT DIP GALVANISED / HEC / MILD STEEL

Part	QFind	Diameter	Width	Inner Diameter	Thickness
		Ø	W (mm)	ID (mm)	T (mm)
GFPMSG1063	<b>H1063</b>	M10	40	11.5	6
GFPMSG1064	<b>H1064</b>	M12	40	13.5	6

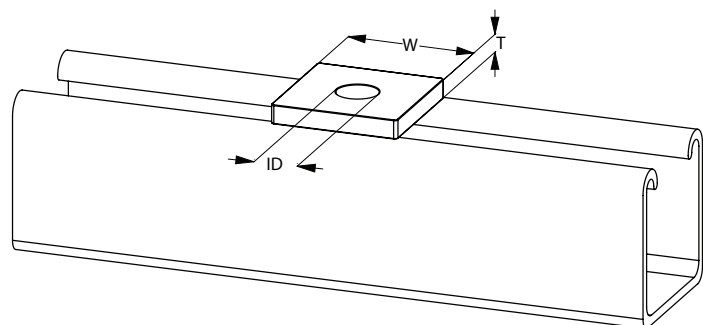
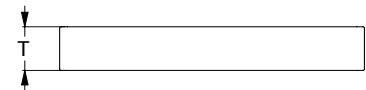
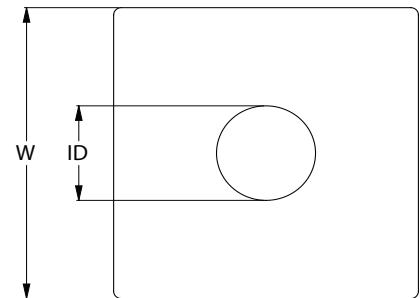


#### APPLICATIONS

- Cable tray support system
- Designed for use with 40mm channels

#### FEATURES

- Non-rounded edges



Disclaimer: while every reasonable effort has been made to ensure that this document is correct at the time of printing, Hobson Engineering®, its agencies and employees disclaim all liability in respect to anything or the consequences of anything done or omitted regarding the whole or any part of this document.

Bolt Tension | Anti-Vibration | Product Reliability | Traceability

[hobson.com.au](http://hobson.com.au) **QUALITY FASTENERS SINCE 1935**

