

DID YOU KNOW?

304

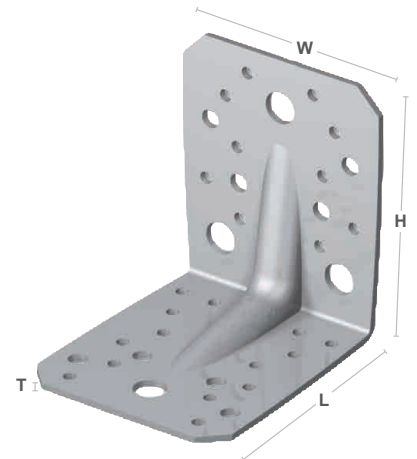


about our... **Heavy Duty Angle Bracket - 304 Stainless**

**NEW
PRODUCT**

KS21 BRACKET ANGLE HEAVY DUTY WITH RIB 304 STAINLESS / TECFI®

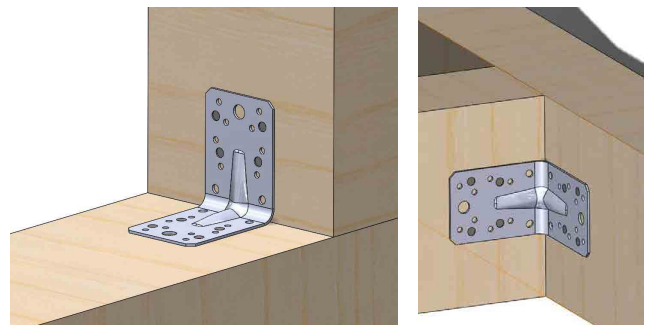
Part	Qfind	Width	Length	Height	Thickness	Pack Qty
		W (mm)	L (mm)	H (mm)	T (mm)	
MTFOKS21005020	KS2105020	40	50	50	2	60
MTFOKS21007020	KS2107020	55	70	70	2	60
MTFOKS21009020	KS2109020	65	90	90	2	10
MTFOKS21010520	KS2110520	90	105	105	2	20



Installation

- » Angle bracket for timber to timber right angle connections
- » Installation with nails and /or screws (self drilling or coach)
- » Nailing patterns as specified in the ETA

NOTE: Additional holes should not be drilled



Features

- » Many hole positions for fixing to timber
- » **ETA European Technical Approval**



Number	Hole Sizes				
	A	B	C	D	E
Total	4.6 mm	7.2 mm	8.8 mm	10.5 mm	12.5 mm
14	8	4	2	-	-
18	12	4	-	2	-
30	20	8	-	2	-
36	24	8	-	-	4

Bolt Tension | Anti-Vibration | Product Reliability | Traceability

hobson.com.au **QUALITY FASTENERS SINCE 1935**



1904031DYK