

**PRO>LOCK**  
ELECTRICIAN'S



# 7 Piece Universal Extension Kit

Extend and convert your 1/4" Impact Driver to any 1/4" or 7/16" accessory

**The Ultimate Adaptor Set**

Use your 1/4" Impact driver to securely and safely extend to 1500mm reach. Each extension securely locks together and will not detach inside roof or wall cavities. Works with all 1/4" and 7/16" tools e.g. drill bits.

- Suits all common Impact Drivers
- Gives extreme reach
- Extensions lock together securely
- Slim design for 15mm hole & wall cavities

**Kit Contains:**

- 5 x 300mm Lockable Extension 1/4"
- 7/16" Hex Adaptor
- 25mm Spade Bit TurboBORE
- BONUS Heavy Duty plastic carry case



Fast & Easy  
Extension Setup



SECURE  
CONNECT



7/16" Hex  
Adaptor

**Code: WAH-QRADP14**

Individual also available



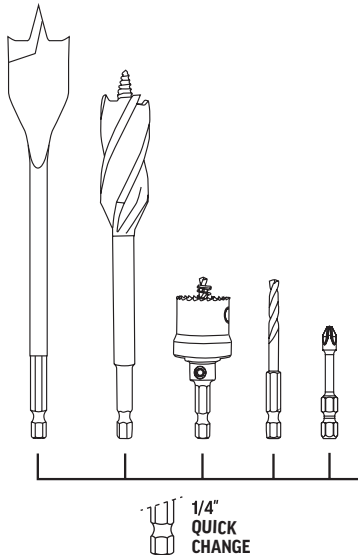
25mm Spade Bit  
TurboBORE

**Code: TS08-25**

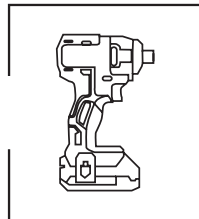
Individual also available

**Code: TS08-EXT300LK7**

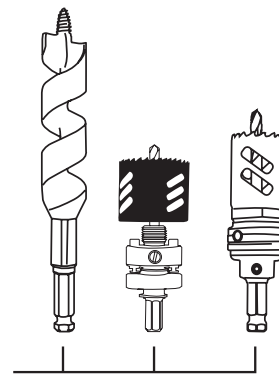
Barcode: 9313601018963



1/4"  
QUICK  
CHANGE



7/16"  
QUICK  
CHANGE



The 7/16" adaptor converts your impact driver to use 7/16" shank tools such as wood auger drills and large diameter hole saws - and works perfectly with the lockable extensions



5x 300mm Lockable  
Extension 1/4"

**Code: TS08-EXT300L**

Individual also available

©COPYRIGHT SHEFFIELD GROUP 2022. No part of this publication may be copied, scanned or reproduced in whole or part in any form without written permission from Sheffield Group.